

型号 Model	适用鱼缸 Tank specifications	功率 Power	LEDs	光通量 Luminous flux
X100	60cm	50 W	COB*1	4200lm
X200	60~90cm	100 W	COB*2	8000lm
X300	60cm	65 W	COB*1	4500lm

技术参数如有改动，恕不另行通知，请以实际为准。
Subject to technical changes.

X 系列 LED 灯 使用说明

X Series LED Lighting system manual



WEEE-Reg.-Nr. DE 39601365

上海荻野生物科技有限公司

Shanghai Ogino Biotechnology Co., Ltd.
www.chihiros.cn
facebook.com/chihirosaquatic

委托生产商:

上海荻野生物科技有限公司慈溪分公司
地址:浙江省慈溪市宗汉街道西三环北路1999号
电话:0574-63213987

使用前请仔细阅读本说明书

Please read and follow all instructions before starting use the product!

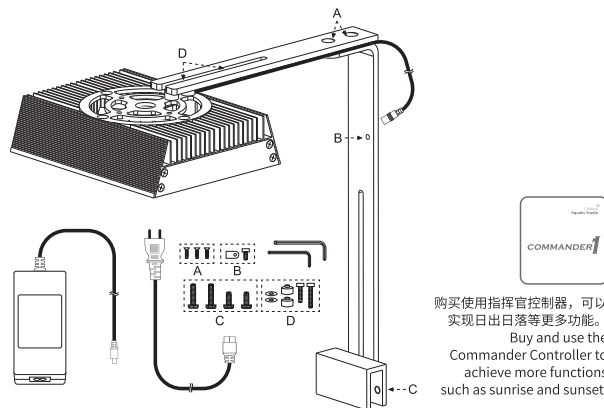
安全说明

- 切勿直视 LED 灯! 它可能会对您的眼睛造成危害!
- 在维护或清洁之前, 务必拔掉电源插头。
- 仅适用于 AC100-240V - 50/60 Hz 的。
- 只能在室内使用。
- 切勿在水下使用灯具。
- 仅在安装完成后使用灯。
- 电源插头应始终处于触手可及的范围内, 以便在安装后发生紧急故障时可立即关闭电源。
- 切勿遮盖 LED 灯和电源适配器以获得最佳散热效果。
- 为了您自己的安全, 我们建议使用连接电缆形成一个滴水环, 以防止沿着电缆流动的水进入插座。
- 如果连接电缆或电源适配器的任何部分损坏, 请勿使用本产品。在再次使用之前必须更换损坏的部件, 请使用原装千寻部件。
- 8 岁以上的儿童或身体、精神、感官能力下降或缺乏经验或知识的个人请在成年人监督和指导下使用该产品; 在没有监督的情况下, 不要让儿童接触本产品, 不要让儿童清洁或进行维护。
- 请勿将本产品作为普通生活垃圾处理。把它带到当地的垃圾收集站。
- 如果 LED 灯意外掉入水中, 请立即拔掉电源! 确保 LED 灯完全干燥后再使用。
- 切勿将电源适配器放在水族箱盖内或上方。
- 如果使用二氧化碳扩散器或空气泵, 水箱应盖上盖子。LED 灯受有机玻璃保护, 但不应与任何水滴接触。
- LED 灯必须始终在水面以上至少 60mm。
- 切勿在水族箱盖中使用 LED 灯。
- LED-Light 在应用过程中非常热。在拔下电源并完全冷却之前, 请勿触摸它。

SAFETY INSTRUCTIONS

- Never look directly into the LED-Light! It may cause danger to your eyes!
- Always unplug the power before maintenance work or cleaning.
- For using with AC 100-240V - 50/60 Hz only.
- For indoor use only.
- Never use the light under the water.
- Use the light only after the installation is completed.
- The power plug should always be within easy reach so that power could be turned off instantly in case there should be an emergency failure after installation.
- Never cover up the LED light and power adapter for the best cooling.
- For you own safety, we recommend to form a drip loop with the connection cable to prevent any water running along the cable from intruding into the socket.
- Do not use the product if any part of connection cable or power adapter is damaged. The damaged parts must be replaced before using again. Use only original Chihiros parts.
- Children above the age of 8 or individuals with reduced physical, mental or sensory capacities or lack of experience or knowledge may be allowed to use the product, only provided they are supervised or have received instruction in the safe use of the product and therefore understand the risks involved. Do not allow children to play with this product. Do not allow children to clean or conduct user maintenance without supervision.

- Do not dispose of this product as normal household waste. Take it to your local refuse collection site.
- If the LED-Modul drops into the water by accident, please unplug the power immediately! Make sure the LED-Modul is fully dried out before using again.
- Never put the power adapter in or above of the aquarium cover.
- The water tank should be covered by a cover in case of using a CO2-Diffuser or air pumps. The LED-Modul is protected by plexiglass, nevertheless it should not be in contact with any water drops.
- The LED-Light must always be at least 60mm above the water surface.
- Never use the LED-Light in an aquarium cover.
- The LED-Light is very hot during the application. Please do not touch it before the power is unplugged and fully cooled.



包装内容

PACKAGE CONTENTS

· LED 灯	· LED-light body
· 电源适配器及插头	· Power adapter and plug
· 螺丝及内六角扳手	· Screws and inner hexagon spanner
· 电线固定夹及垫片	· Wire clip and shim
· 支架	· Light stand

技术参数

TECHNICAL SPECIFICATIONS

· 输入电压 Power Input	AC100 - 240 V 50/60 Hz
· 输出电压 Power Output	DC32 V
· LED 使用寿命 LED lifetime	Over 50,000hrs